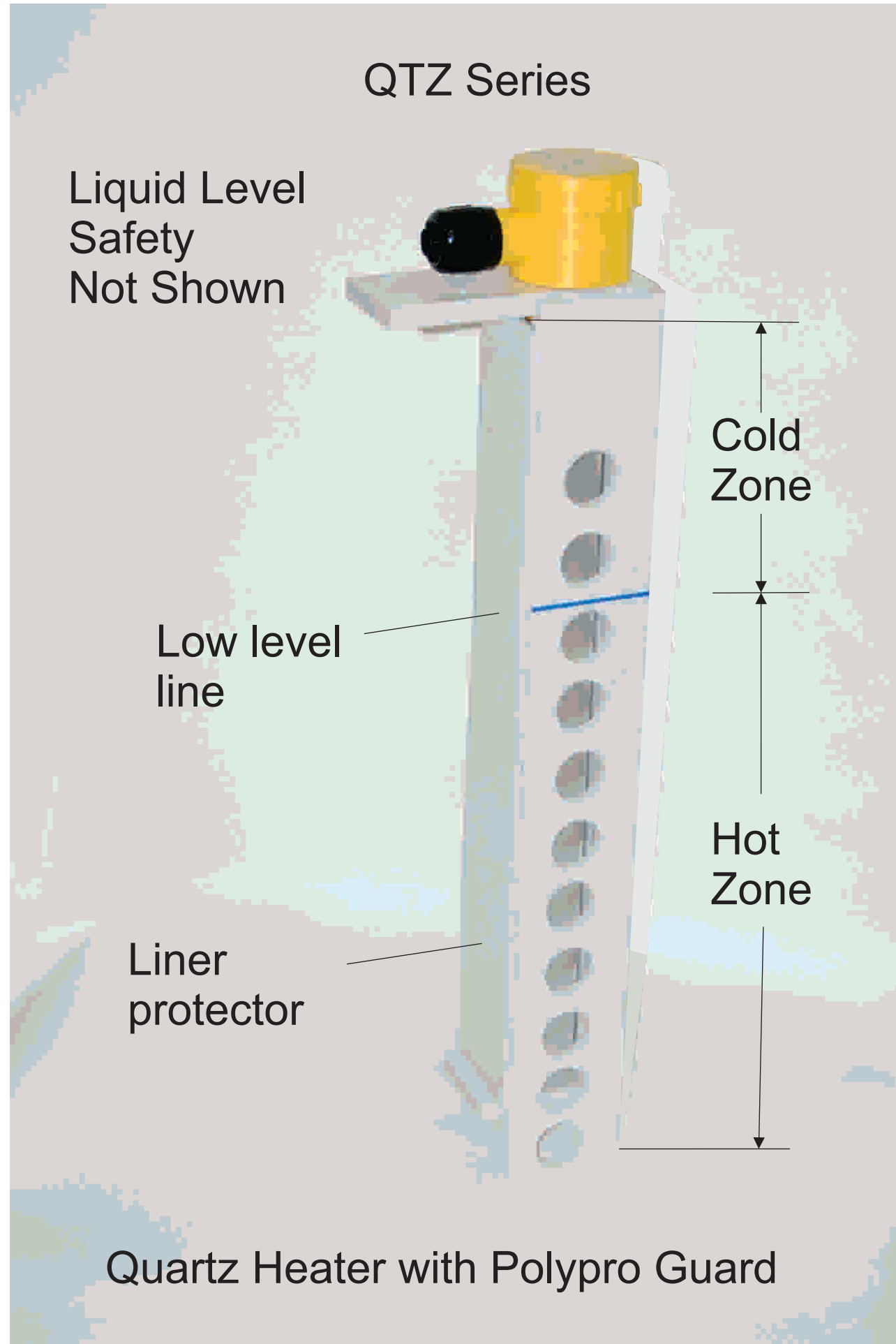


QTZ Series

Liquid Level Safety
Not Shown

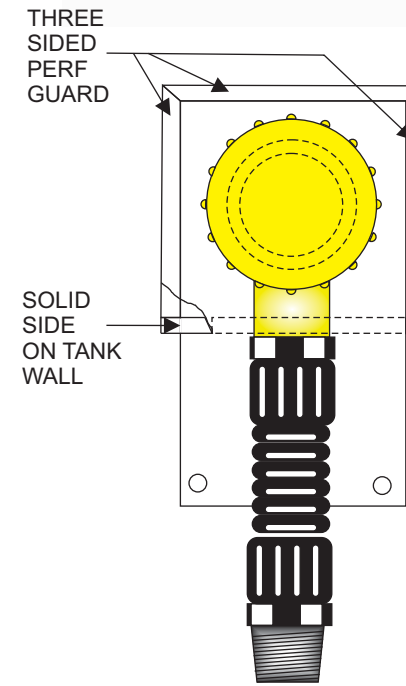


IHS Industrial Heating Systems

"We control the heat of your chemistries"



QTZ - Series



Quartz heaters evolved in the '50's . They can withstand a pH of 9 to a pH of 0 . Impervious to sulfuric and hydrochloric to name a few. But cannot be used in Hydrofluoric Acid.

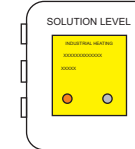
Check our chemical resistance chart for compatibility or contact us for your application needs.

The heaters are composed of 3 parts; 1). the polypro guard 2). the quartz tube and 3). the replaceable element.

All heaters are 1 phase, 3 can be purchased an wired for 3 phase.

Only 1 solution level control is needed. Check the CONTROL SECTION for control systems with build in level safeties .

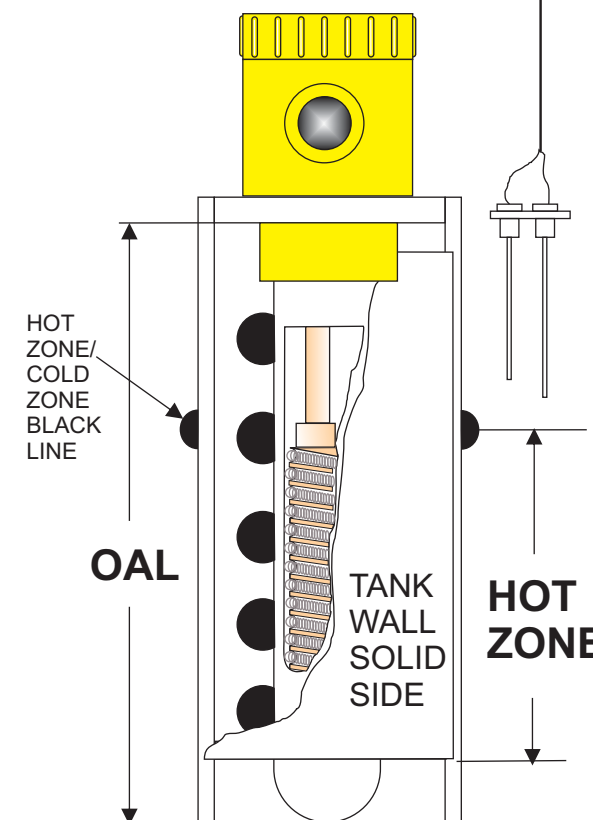
LEVEL SAFETY
W/ RESET



QTZ- (OAL)- (kW) - HZ(length) - (Volts)

QTZ-22-3-14-2

- 0=120v
- 2=240v
- 3=380v
- 4=480v
- 7=277v
- 8=208v



OAL	kW	HOT ZONE	VOLTAGES AVAILABLE
12"	.75	6"	120
16"	1	7"	120,208, OR 240
18"	1.5	11"	120,208, OR 240
19"	2	11"	208 OR 240
22"	3	14"	208,240, 277, OR 480
24"	3.5	15"	208,240, 277, OR 480
28"	4	20"	208,240, 277, OR 480
30"	3.5	22"	208,240, 277, OR 480
34"	5	26"	208,240, 277, OR 480
40"	5.5	28"	240, 277, OR 480