

# IHS

## Industrial Heating Systems

"We control the heat of your chemistries"



Designed and Manufactured in the USA

9530 W. Bethel Ct. Suite B

Boise, ID 83709

208-323-6143

WWW.INDUSTRIALHEATINGSYSTEMS.COM

## BHH-S-3 or T-3- SERIES

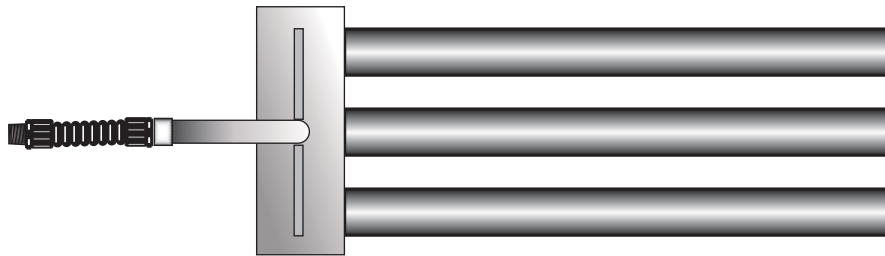
Even heat distribution is the reason for this design of this heating system.

These are used in;

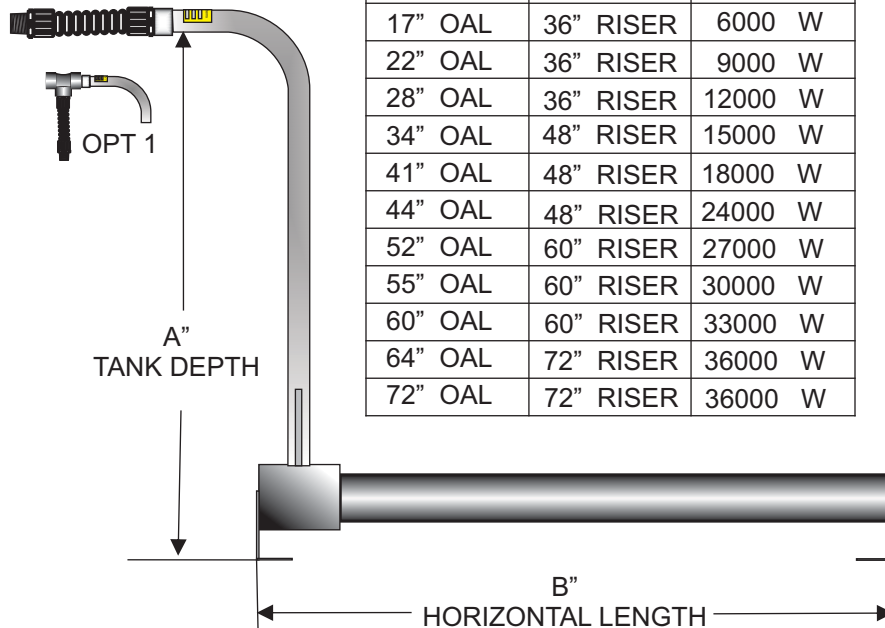
- \* VAPOR DEGREASING TANKS
- \* ELECTRO-LESS NICKEL TANKS
- \* HARD CHROME ROLLER TANKS
- \* ROD CHROMING TANKS
- \* ALUMINUM ANODIZING TANKS
- \* ARTILLARY MAUFACTURING
- \* BLACK OXIDE TANKS ( CIRCUIT BOARD)
- \* WASTE WATER EVAPORATION

Available in 3, 6, 9 and 12 tube designs . 3 tube design shown.

More tubes lowers the watt density.



Riser can be longer or rotated. Consult factory



"B" DIMENSION	RISER HEIGHT STANDARD*	APPROXIMATE WATTAGE
12" OAL	36" RISER	3000 W
17" OAL	36" RISER	6000 W
22" OAL	36" RISER	9000 W
28" OAL	36" RISER	12000 W
34" OAL	48" RISER	15000 W
41" OAL	48" RISER	18000 W
44" OAL	48" RISER	24000 W
52" OAL	60" RISER	27000 W
55" OAL	60" RISER	30000 W
60" OAL	60" RISER	33000 W
64" OAL	72" RISER	36000 W
72" OAL	72" RISER	36000 W

